

GRAVITY

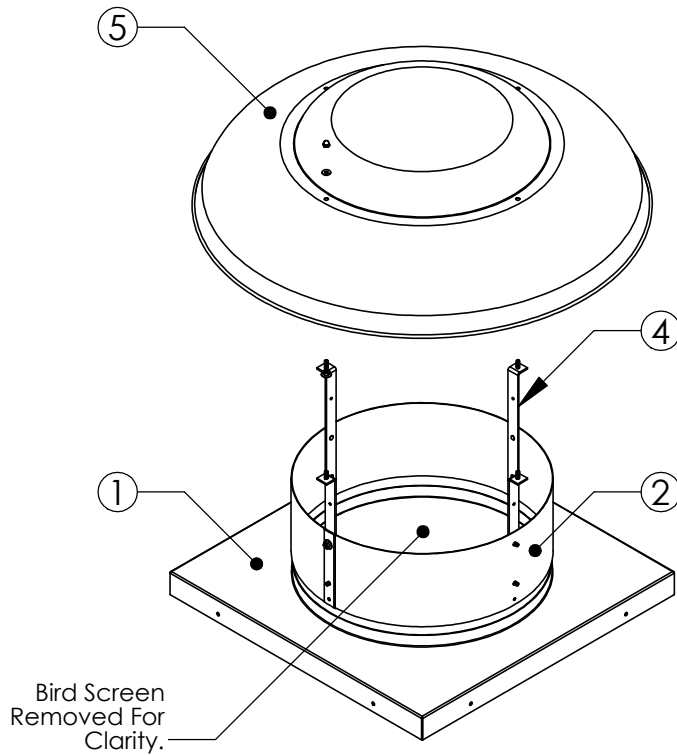
VENT

EXPLODED

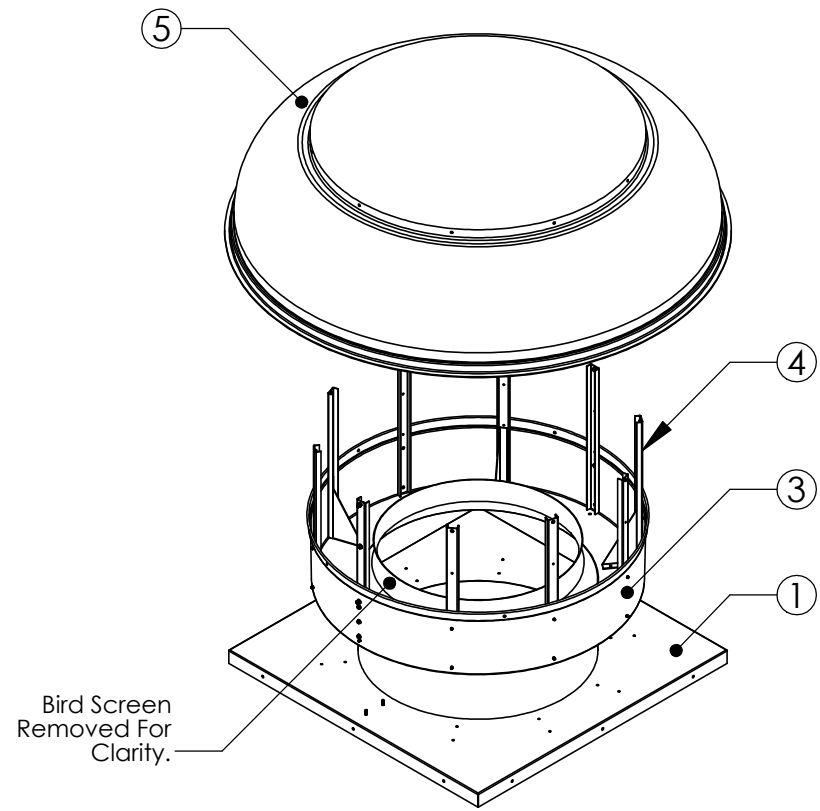
VIEWS

12/02/2015

Gravity Vent



GV10-18
EMUA10-18



GV20-36

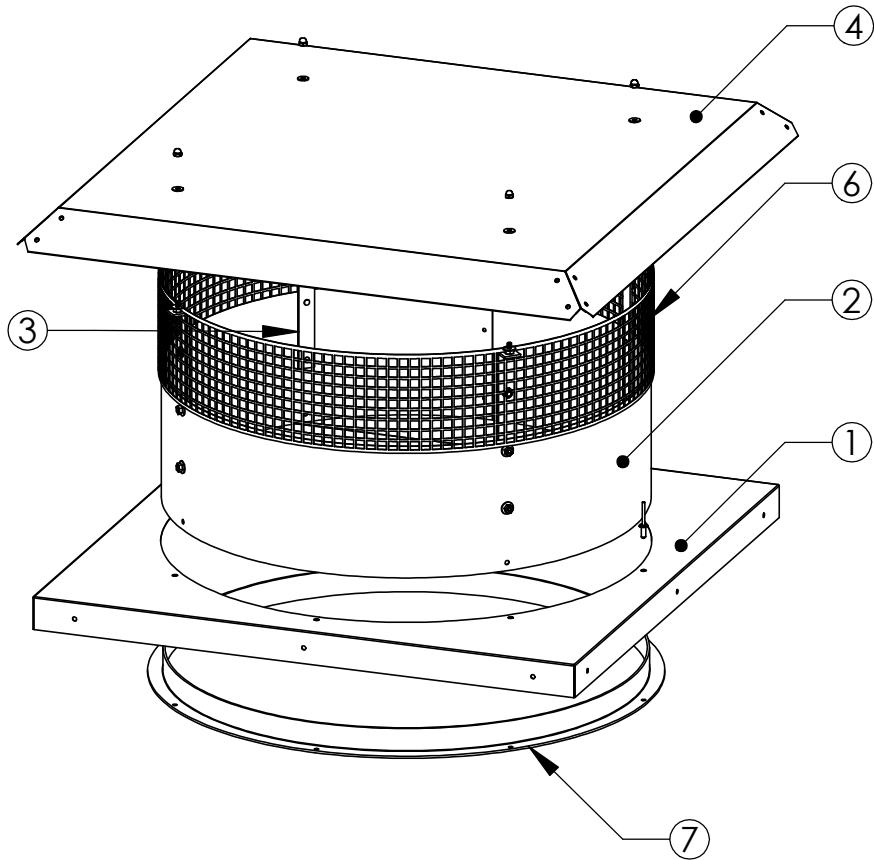
NOTES:

1. ITEM 1 is shown with a standard base. If the flat base configuration is ordered, base part number ends in -F.

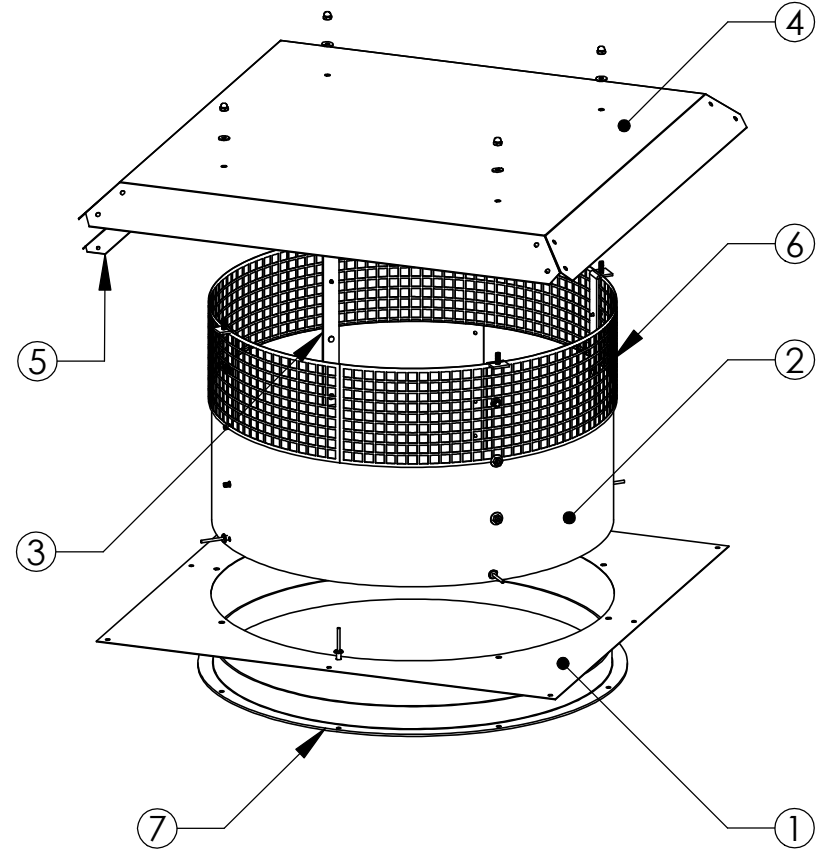
Gravity Vent Part Numbers and Quantities

Item #	Description	10	#	12	#	14	#	18	#	20	#	24	#	30	#	36	#
1	Base Assembly	F2011810-S	1	F2011812-S	1	F2011814-S	1	F2011818-S	1	F8040020-S	1	F8040024-S	1	F8040030	1	F8040036	1
2	Air Shaft	F2391810-S	1	F2391812-S	1	F2391814-S	1	F2391818-S	1	N/A	N/A	N/A	N/A	N/A	N/A	N/A	N/A
3	Baffle	N/A	N/A	N/A	N/A	N/A	N/A	N/A	N/A	F5020020	1	F5020024	1	F5020030	1	F5020036	1
4	Vertical Brace	F8031810-S	3	F8031812-S	4	F8031814-S	4	F8031818-S	4	F8030018-P	5	F8030024-P	5	F8030030-P	10	F8030036-M	10
5	Hood	F5211810	1	F5211812	1	F5211814	1	F5211818	1	F5170020-SC	1	F5170024-SC	1	F5170030-SC	1	F5170036-SC	1
6	Bird Screen	F2361810	1	F2361812	1	F2361814	1	F2361818	1	SCR-18	1	SCR-24	1	SCR-30	1	SCR-36	1
7	Gusset	N/A															

Square Gravity Vent



GVS With Down Bend Base.

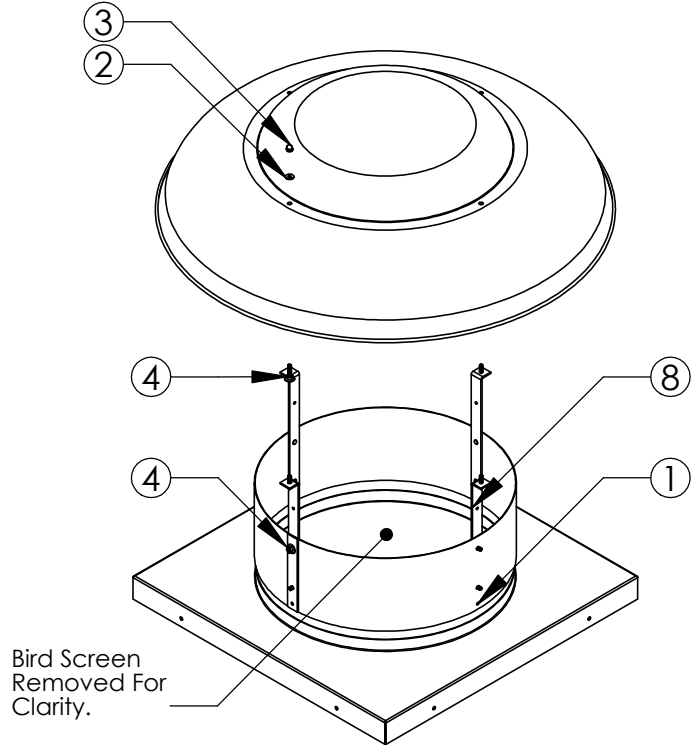


GVS With Flat Base.

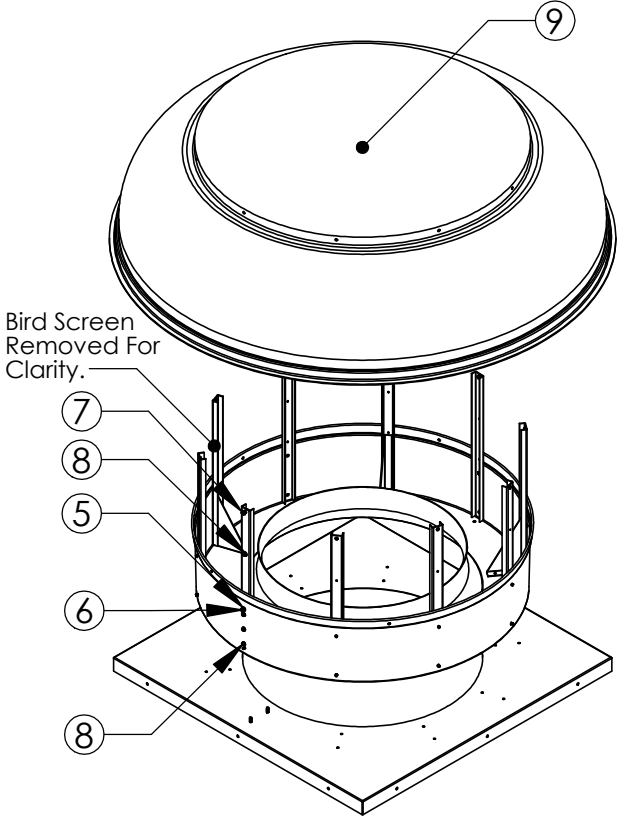
Square Gravity Vent Part Numbers and Quantities

Item #	Description	1113	#	15	#	1820	#	24	#	30	#	36	#
1	Base	F201001113GVS	1	F2010015GVS	1	F201001820GVS	1	F2010024GVS	1	F2010030GVS	1	F2010036GVS	1
1	Flat Base	F201001113GVS-F	1	F2010015GVS-F	1	F201001820GVS-F	1	N/A	0	N/A	0	N/A	0
2	Shaft Wrapper	F205001113GVS	1	F2050015GVS	1	F205001820GVS	1	F2050024GVS	1	F2050030GVS	2	F2050036GVS	2
3	Vertical Brace	F8031818-S	4	F8031818-S	4	F8031818-S	4	F8031818-S	4	F8031818-S	6	F8031818-S	6
4	Hood	GVS1113CAP	1	GVS15CAP	1	GVS1820CAP	1	GVS24CAP	1	GVS30CAP	1	GVS36CAP	1
5	Hood Corner	GVSCAPCOR	4	GVSCAPCOR	4	GVSCAPCOR	4	GVSCAPCOR	4	GVSCAPCOR	4	GVSCAPCOR	4
6	Bird Screen	F2361216	1	F2361216	1	F2361216	1	F2361216	2	F2361216	2	F2361216	2
7	Ring	F237001113GVS	1	F2370015GVS	1	F237001820GVS	1	F2370024GVS	1	F2370030GVS	1	F2370036GVS	1

Gravity Vent Hardware



**GV10-18
EMUA10-18**

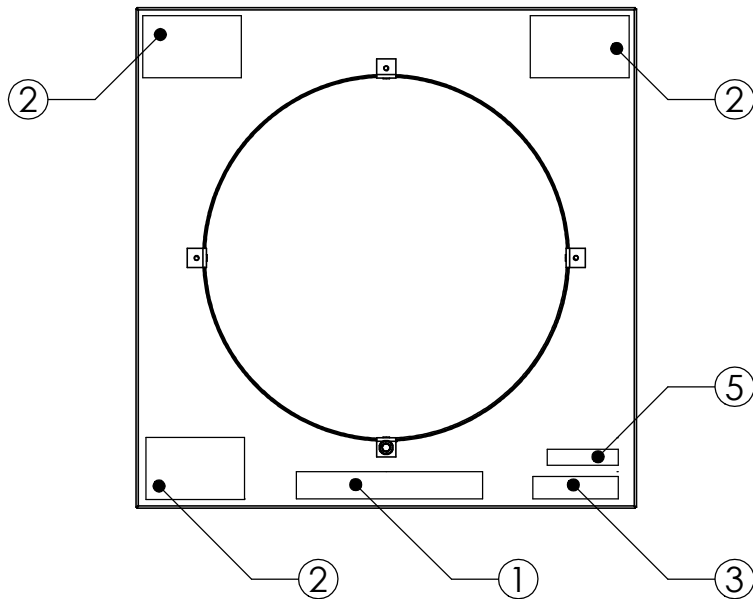
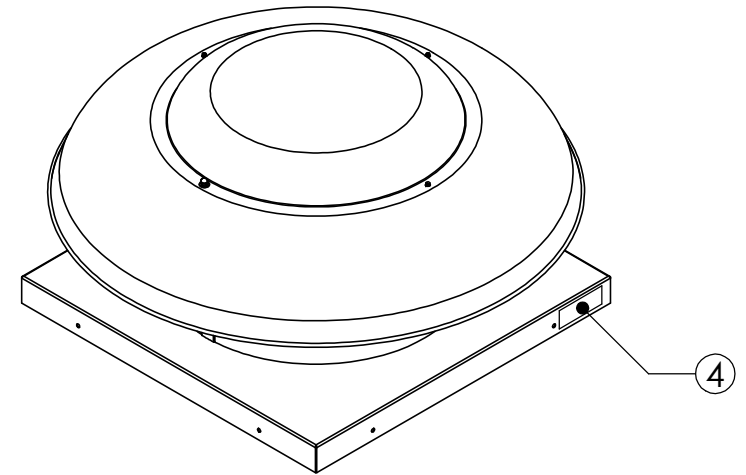
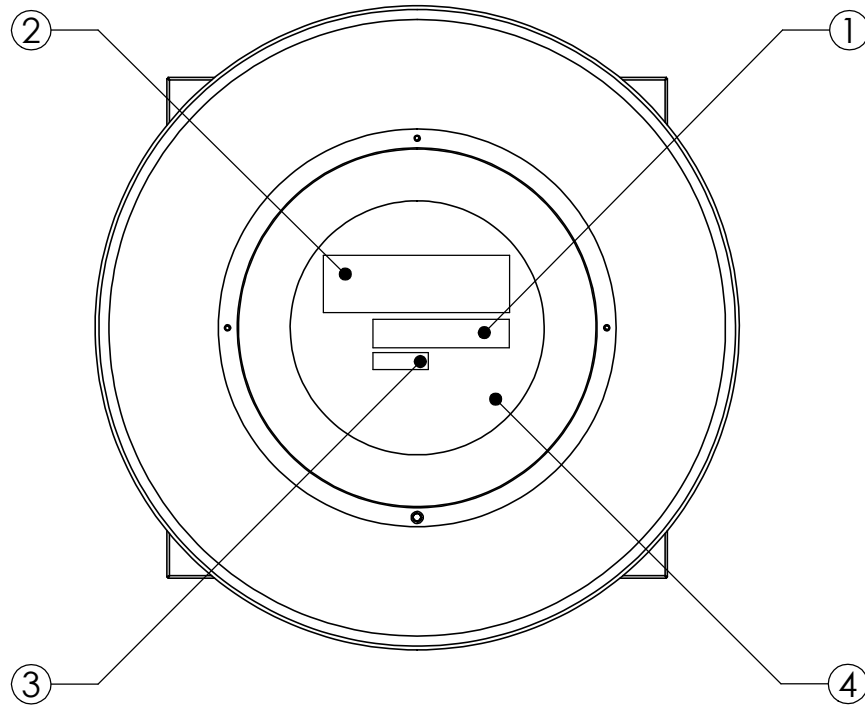


GV20-36

- NOTES:**
1. ITEM 10 is used to fill a spinning disc centering hole. If centering hole is too large for SSPI Rivet, whiz nut and bolt should be used (800025 & 800032). This may not be present on all units. If hole is not there, omit rivet/nut and bolt.
 2. Bird Screen secured with item 9, 1 per vertical support, centered on bird screen.

Gravity Vent Hardware Information																	
Item #	Description	10	#	12	#	14	#	18	#	20	#	24	#	30	#	36	#
1	3/16 Rivet	800070A	3	800070A	4	800070A	4	800070A	4	N/A	N/A	N/A	N/A	N/A	N/A	N/A	N/A
2	Washer 1/4 ID x 5/8 OD	800011	3	800011	4	800011	4	800011	4	N/A	N/A	N/A	N/A	N/A	N/A	N/A	N/A
3	1/4 - 20 Acorn Nuts	800035	3	800035	4	800035	4	800035	4	N/A	N/A	N/A	N/A	N/A	N/A	N/A	N/A
4	1/4 - 20 Whiz Nut	800034	12	800034	16	800034	16	800034	16	800034	10	800034	10	800034	20	800034	20
5	White Nylon Washer	N/A	N/A	N/A	N/A	N/A	N/A	N/A	N/A	800014	10	800014	10	800014	20	800014	20
6	1/4-20 Nylon Lock Nut	N/A	N/A	N/A	N/A	N/A	N/A	N/A	N/A	800031	10	800031	10	800031	20	800031	20
7	1/4 - 20 x 3/4 Whiz Bolt	N/A	N/A	N/A	N/A	N/A	N/A	N/A	N/A	800044	5	800044	5	800044	10	800044	10
8	1/4-14 x 1.25 Self Drilling /Rbr Washer	800023B	3	800023B	4	800023B	4	800023B	4	800023B	5	800023B	5	800023B	10	800023B	10
9	SSPI Rivet	N/A	N/A	N/A	N/A	N/A	N/A	N/A	N/A	SSPI-08-06-RIVET	1	SSPI-08-06-RIVET	1	SSPI-08-06-RIVET	1	SSPI-08-06-RIVET	1

Gravity Vent Label Locations Square & Round



Gravity Vent Labels		
Item #	Label Description	Qty
1	Name Brand Label	1
2	Part Number Label	2
3	QC Passed Label	1
4	Hinge Kit Label	1
5	Wallmount Label	1